

Reliable, self-contained solar LED system ideal for outdoor lighting applications including path, street and site lighting.

WHY SOLAR?



REMOTE LOCATIONS

- Where grid is difficult to access
- Sensitive environments



IMMEDIATE ENERGY SAVINGS

- No energy costs throughout life of product



LOWER INSTALLATION COSTS

- No trenching or cabling
- Shorter installation time compared to on grid systems



GREEN STATEMENT

- Viable and sustainable energy alternative
- Recyclable battery and components



OUR DIFFERENCE

INDUSTRY-LEADING EXPERTISE

- World leader in solar LED lighting solutions, since 1990
- Publicly traded on the TSX (CMH)
- Extensive experience in outdoor lighting industry

ADVANCED LIGHTING TECHNOLOGY

- Designed for lighting applications
- Dimming and operating profiles for adaptive lighting
- Superior LED luminaires

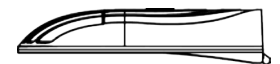
CUSTOM SOLUTION FOR YOUR APPLICATION

- Precision-engineered for your application
- Array of solar engines available for your portfolio
- Aesthetic-design and value-built engine options

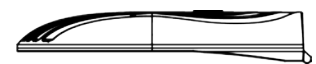
LUMINAIRES



Cree XSPR™ LED Street/Area Light



Cree XSP1™ LED Street/Area Light



Cree XSP2™ LED Street/Area Light

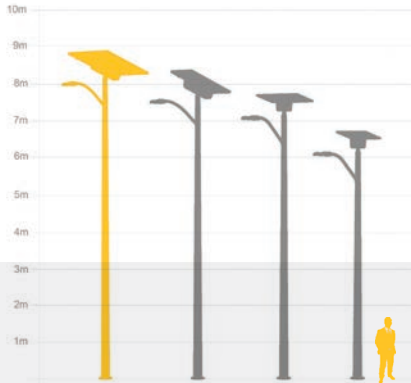
REPRESENTED IN YOUR REGION BY:

ADAPTIVE LIGHTING

Adaptive Lighting allows for lower light levels during night hours when vehicle and pedestrian activity are reduced.

By dimming the system when facility usage is low, energy is conserved and light levels during peak hours are maximized. This allows for brighter illuminations, smaller system size and lower system cost.

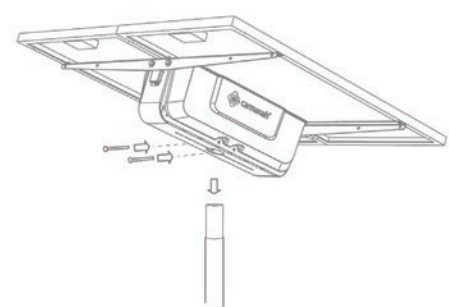
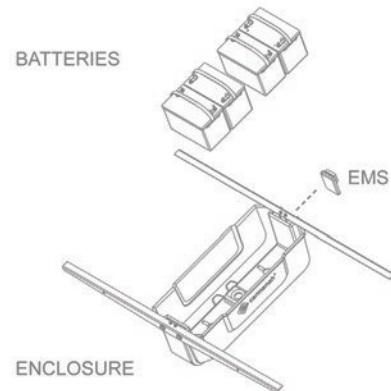
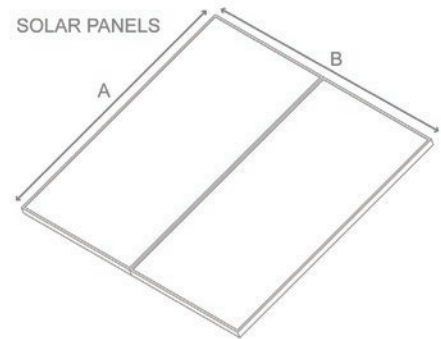
PRODUCT SCALE: EG340 (WITHIN EG-SERIES)



SOLAR ENGINE	20° Tilt	45° Tilt
EPA*	1.586 m ² (17.07 ft ²)	3.050 m ² (32.83 ft ²)
APA	1.220 m ² (13.13 ft ²)	2.346 m ² (25.25 ft ²)
Weight (without batteries)	74.5 kg (164.2 lb)	81.4 kg (179.7 lb)
Weight (with batteries)	199.9 kg (440.2 lb)	206.7 kg (455.7 lb)
Dimension A	1640 mm (64.6 in)	
Dimension B	1984 mm (78.2 in)	
Watts	>490	
BATTERIES		
Type	Deep cycle absorbed glass mat (AGM)	
Rating	1,800 cycles to 20% depth of discharge at 20° C (68° F)	
LUMINAIRE		
LED	CREE XSP Series™	
Luminaire Efficacy	Typical 100 lm/W	
IES Light Distributions	Type 2 long, 3 med, 4 med, 5 med	
Other Standards	cULus Listed; suitable for wet locations; RoHS compliant; when ordered with 4000K or 5700K;	
Photometry	Certified photometry per IESNA LM-79-2008 & LM-80-2008	
Photometric performance depends on the solar environment of location and specified operating profile. Contact a Carmanah representative for exact lumen output and specifications for your application.		
MOUNTING		
Solar Engine	Top of pole, round tenon 8.9 cm (3.5 in) OD, 15.2 cm (6.0 in) in length	Top of pole, round tenon 10.16 cm (4.0 in) OD, 15.2 cm (6.0 in) in length
Luminaire	Mounts to horizontal tenon, min 8" in length 4.25 cm (1.675 in) or 6 cm (2.375 in) outer diameter	
Wind Load Rating	209 kph (130 mph)**	145 kph (90 mph)**
ENERGY MANAGEMENT SYSTEM (EMS)		
Optional Operating Profiles	Dusk-to-Dawn 7 Dim 2 5 Dim 2	
Day/night transitioning	Via solar panels	
Status Indicators	Battery connection, low/high voltage disconnect, dimming	
CERTIFICATIONS		
CE 2004-108-CE, EN 55015, EN 61547 for emissions and immunity IP 68 Controller (EMS) Luminaire: IP 66 Light Engine; UL1598; CSA C22.2 no250.0		
ACCESSORIES		
Remote control		
Maintenance kit		

* Effective Projected Area (EPA) calculated as the Actual Projected Area (APA) multiplied by a drag coefficient of 1.3.
EPA of engine only; does not include luminaire EPA.
** 3 second gust as per AASHTO 2001

Specifications subject to local environmental conditions.
Specifications may be subject to change.



Carmanah Advantage: Energy Management System

Carmanah's Energy Management System is a critical part of the EG340 system and ensures bright, reliable light output and healthy, high-functioning lighting systems for years of autonomous operation.

The EMS Provides

- Efficient transfer and dynamic management of energy
- Seven operating profile options (adaptive lighting)
- Smaller sized systems with greater lumen output

The management system governing the manufacture of this product is ISO 9001:2008 certified.
EG Series is Buy American Compliant
Document: EG340_Spec_Sheet_RevC