

Self-contained off-grid solar LED system, ideal for outdoor lighting applications including park and pathway lighting.

WHY SOLAR?



REMOTE LOCATIONS

- Where grid is difficult to access
- Sensitive environments



IMMEDIATE ENERGY SAVINGS

- No energy costs throughout life of product



LOWER INSTALLATION COSTS

- No trenching or cabling
- Shorter installation time compared to on grid systems



GREEN STATEMENT

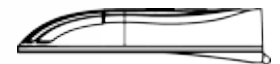
- Viable and sustainable energy alternative
- Recyclable battery and components



LUMINAIRES



Cree XSPR™ LED Street/Area Light



Cree XSP1™ LED Street/Area Light

OUR DIFFERENCE

INDUSTRY-LEADING EXPERTISE

- World leader in solar LED lighting solutions, since 1990
- Publicly traded on the TSX (CMH)
- Extensive experience in outdoor lighting industry

ADVANCED LIGHTING TECHNOLOGY

- Designed for lighting applications
- Dimming and operating profiles for adaptive lighting
- Superior LED luminaires

CUSTOM SOLUTION FOR YOUR APPLICATION

- Precision-engineered for your application
- Array of solar engines available for your portfolio
- Aesthetic-design and value-built engine options

ADAPTIVE LIGHTING

Adaptive Lighting allows for lower light levels during night hours when vehicle and pedestrian activity are reduced.

By dimming the system when facility usage is low, energy is conserved and light levels during peak hours are maximized. This allows for brighter illuminations, smaller system size and lower system cost.

REPRESENTED IN YOUR REGION BY:

PRODUCT SCALE: EG80 (WITHIN EG-SERIES)



SOLAR ENGINE	10° Tilt	20° Tilt	45° Tilt
EPA*	0.271 m ² (2.92 ft ²)	0.417 m ² (4.49 ft ²)	0.642 m ² (6.91 ft ²)
APA	0.209 m ² (2.25 ft ²)	0.321 m ² (3.46 ft ²)	0.494 m ² (5.32 ft ²)
Weight (without batteries)	18.6 kg (41.0 lb)	18.6 kg (41.0 lb)	21.1 kg (46.5 lb)
Weight (with batteries)	47.7 kg (105.0 lb)	47.7 kg (105.0 lb)	50.1 kg (110.5 lb)
Dimension A	666 mm (26.24 in)		
Dimension B	1015 mm (40.11 in)		
Watts	>80		
BATTERIES			
Type	Deep cycle absorbed glass mat (AGM) or gel		
Rating	1,800 cycles to 20% depth of discharge at 20° C (68° F)		
LUMINAIRE			
LED	Cree XSPR™ and XSP1™		
Luminaire Efficacy	Typical 100 lm/W		
IES Light Distributions	Type 2 long, 3 med, 4 med, 5 med		
Other lighting standards	cULus Listed; suitable for wet locations; RoHS compliant; when ordered with 4000K or 5700K;		
Photometry	Certified photometry per IESNA LM-79-2008 & LM-80-2008		

Photometric performance depends on the solar environment of location and specified operating profile. Contact a Carmanah representative for exact lumen output and specifications for your application.

MOUNTING

Solar Engine	Top of pole, round tenon 8.9 cm (3.5 in) outer diameter, 15.2cm (6.0 in) in length		
Luminaire	Mounts to horizontal tenon, min 8" in length 4.25 cm (1.675 in) or 6 cm (2.375 in) outer diameter		
Wind Load Rating	241 kph (150 mph)**	241 kph (150 mph)**	209 kph (130 mph)**

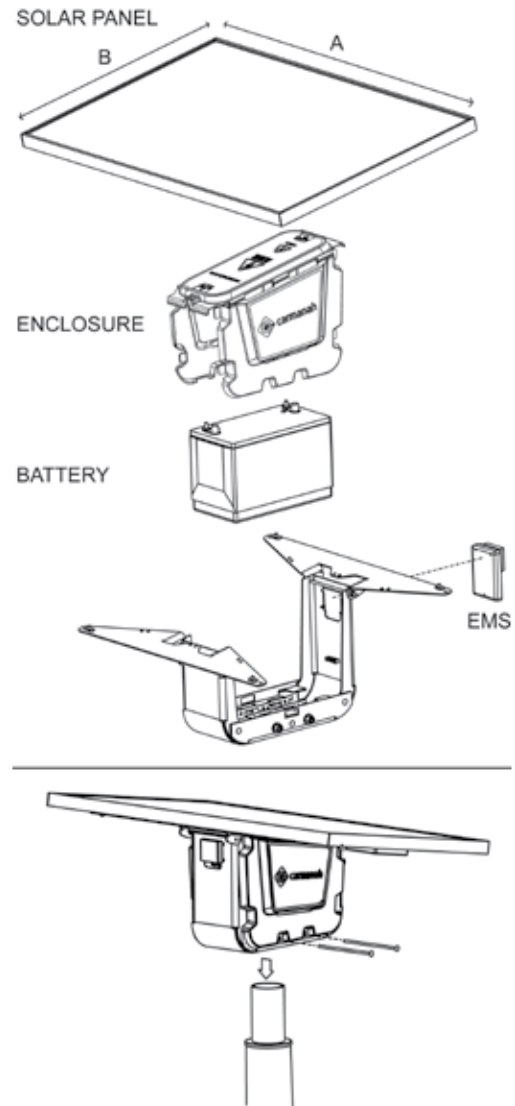
ENERGY MANAGEMENT SYSTEM

Optional Operating Profiles	Dusk-to-Dawn; 9 Dim 2; 7 Dim 2; 5 Dim 2		
Day/night transitioning	Via solar panels		

CERTIFICATIONS

Controller: UL 60950-1; CSA C22.2 60950-1
Luminaire: IP 66 Light Engine; UL1598; CSA C22.2 no250.0

* Effective Projected Area (EPA) calculated as the Actual Projected Area (APA) multiplied by a drag coefficient of 1.3.
EPA of engine only; does not include fixture EPA.
** 3 second gust as per AASHTO 2001



EternO[®] 4 ENERGY MANAGEMENT SYSTEM

The EternO[®] 4 ensures bright, reliable light output and healthy, high-functioning lighting systems with maintenance-free operation.

- Monitors and regulates charging and discharging of batteries
- Efficient transfer & dynamic management of energy (95% efficiency)
- Day/night transition via solar panel eliminates need for photocell
- Ten day/night memory averaging ensures accurate turn on/off of lights to prevent false response due to weather variations
- Allows for dimming of LED luminaire
- Temperature compensation and PWM controlled battery charging
- Low-voltage disconnect for battery protection

Specifications subject to local environmental conditions. Specifications may be subject to change.

The management system governing the manufacture of this product is ISO 9001:2008 certified.
EG Series is Buy American Compliant
Document: Sol_EG80_Spec_Sheet_RevC