

iSSL Maxi Road

All-in-One Solar Street Light



IP65

IK07(PV)

IK08

CE

10
YEARS
WARRANTY

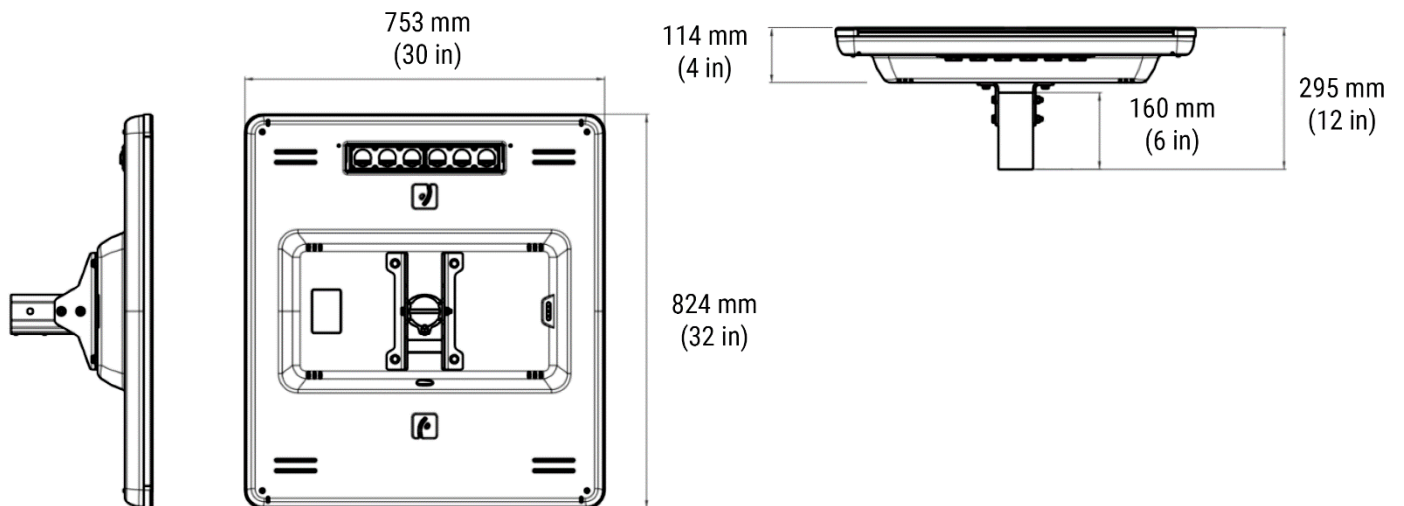


LIGHTING	LED module	High efficiency LED light engine - Multichip Technology (IP 67)
	Luminous flux	3,500 to 7,000* lumens
	Consumption	20 W to 40 W*
	Lighting efficiency	Up to 175 lm/W
	Color temperature options	3000K, 4000K and 5700K
	Lifespan	50,000 hours certified by IESNA LM-80 TM-21
	Certificates	EN 13032-1; EN 13032-2; EN 13201; EN 60598-1; EN 62471
SOLAR PANEL	Technology	Photovoltaic module (Monocrystalline silicon)
	Power	80 Wp (2x40 Wp)
	Electrical characteristics (per panel)	VOC : 23,04 V / VMPP : 18,72 V / ISC : 2,34A / IMPP : 2,14A / 36 cells
	Dimensions (per panel)	31 x 14 inches (776 x 350 mm)
	Lifespan	25 years
	Inclination	Horizontal
	Structure	Frameless
BATTERY	Certificates	IEC 61215; IEC 61730 I and II
	Battery technology	NiMH battery, maintenance free, very high temperature resistance
	Voltage	24V
	Capacity	240 Wh
	Operating temperature range	-40°F to +158°F (-40°C to +70°C)
	Lifespan	12 years
	Certificates	EN 62133
ELECTRONICS	Technology	SunnaCore®
	Communication	Bluetooth
	Input voltage	24V
	Max. PV open circuit voltage	45V
	Max. charge/discharge current	5A
	Wiring	Marine-grade wiring used for all applications
	Electrical protection	Electronic fuse
	Lifespan	12 years
	Water resistance	IP65 with sealed plugs
	Operating temperature range	-4°F to +158°F (-20°C to +70°C)
	Certificates	CE; EN61000; EN61547; EN55015; EN62493; EN 62479 EN300328; EN 301489-1
GENERAL	Material	ABS PMMA casing (100% recycled) and aluminum
	EPA	1 ft ² (0.09 m ²)
	Fixation	Top mounting Ø2 inches (Ø60 mm)
	Weight (without pole)	42 lbs (19 kg)
	Options	Motion sensor Anti-theft screws
	Smart Lighting options	Smart Lighting and Detection Remote monitoring

* Available with motion sensor

© Sunna Design Inc / 2021

Dimensions



Available colors



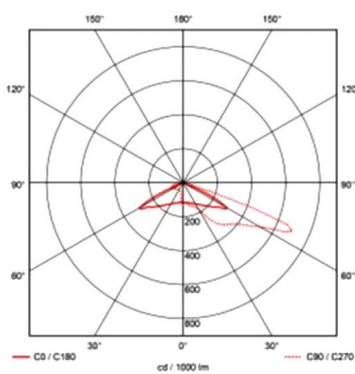
RAL 9010



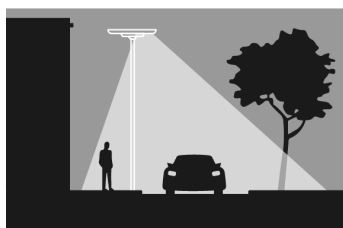
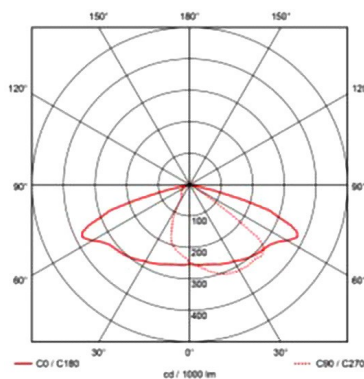
RAL 8019

Light distribution

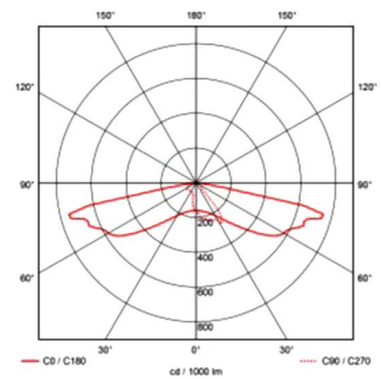
NARROW ROAD



MEDIUM ROAD



AREA WIDE ROAD



References

PRODUCT REFERENCE	PRODUCT DESCRIPTION
SL4200 000 000	iSSL Maxi Road
SL4200 100 000	iSSL Maxi Road – Motion sensor