

# iSSL Maxi Road

All-in-One solar streetlight



IP65

IK07(PV)

IK08

CE

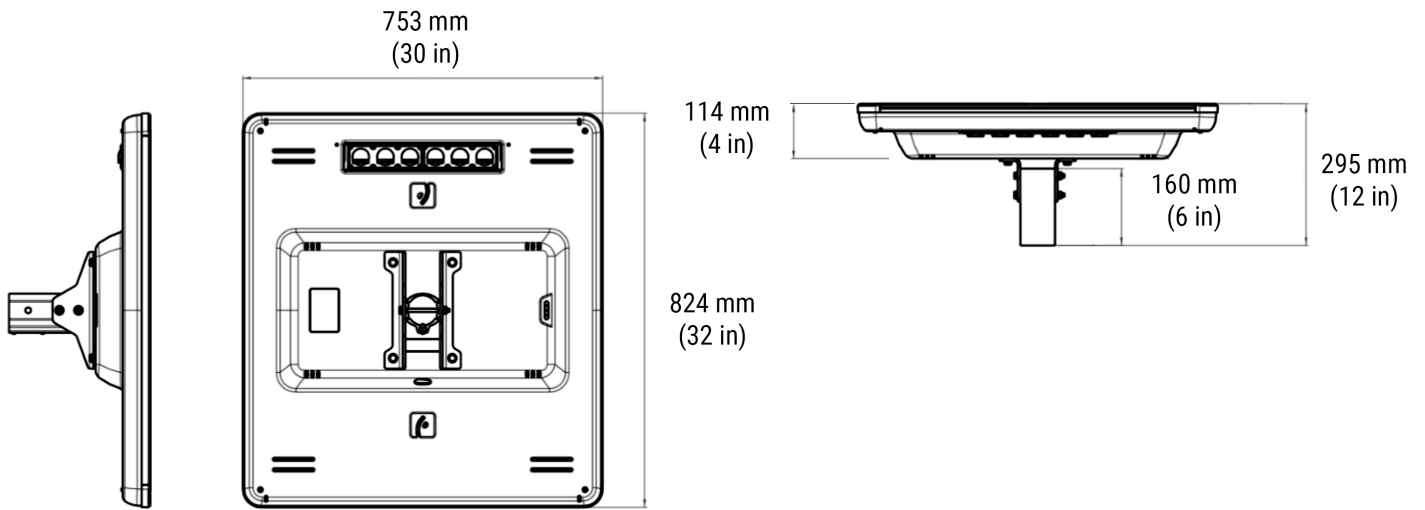
6

YEARS  
WARRANTY

LIGHTING	LED module	High efficiency LED light engine - Multichip Technology (IP 67)
	Luminous flux	3,200 to 5,600* lumens
	Consumption	20 W to 40 W*
	Lighting efficiency	Up to 164 lm/W
	Color temperature options	3000 K, 4000 K & 5700 K
	Lifespan	50,000 hours certified by IESNA LM-80 TM-21
	Certificates	EN 13032-1; EN 13032-2; EN 13201; EN 60598-1; EN 62471
SOLAR PANEL	Technology	Photovoltaic module (Monocrystalline silicon)
	Power	80 Wp (2x40 Wp)
	Electrical characteristics (per panel)	VOC : 23,04 V / VMPP : 18,72 V / ISC : 2,34A / IMPP : 2,14A / 36 cells
	Dimensions (per panel)	776 x 350 mm (31 x 14 inches)
	Lifespan	25 years
	Inclination	Horizontal
	Structure	Frameless
BATTERY	Certificates	IEC 61215; IEC 61730 I and II
	Battery technology	NiMH battery, maintenance free, very high temperature resistance
	Voltage	24V
	Capacity	240 Wh
	Operating temperature range	-40°C to +70°C (-40°F to +158°F)
	Lifespan	12 years
	Certificates	EN 62133
ELECTRONICS	Technology	SunnaCore®
	Communication	Bluetooth
	Input voltage	24V
	Max. PV open circuit voltage	45V
	Max. charge/discharge current	5A
	Wiring	Marine-grade wiring used for all applications
	Electrical protection	Electronic fuse
	Lifespan	12 years
	Water resistance	IP65 with sealed plugs
	Operating temperature range	-20°C to +70°C (-4°F to +158°F)
	Certificates	CE; EN61000; EN61547; EN55015; EN62493; EN 62479 EN300328; EN 301489-1
GENERAL	Material	ABS PMMA casing (100% recycled) and aluminum
	EPA	0,09 m2 (1 ft <sup>2</sup> )
	Fixation	Top mounting Ø60 mm (Ø2 inches)
	Weight (without pole)	19 kg (42 lbs)
	Options	Motion sensor Anti-theft screws
	Smart Lighting options	Smart Lighting and Detection Remote monitoring

\* Available with motion sensor

## Dimensions



## Available colors



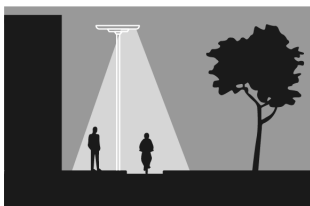
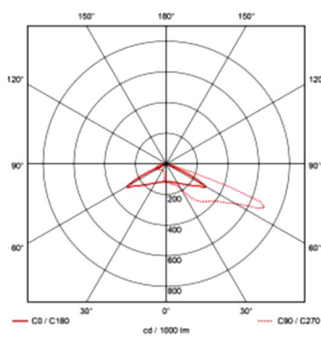
RAL 9010



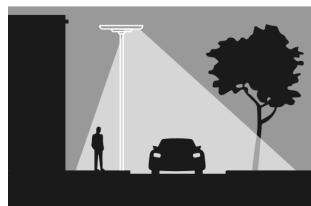
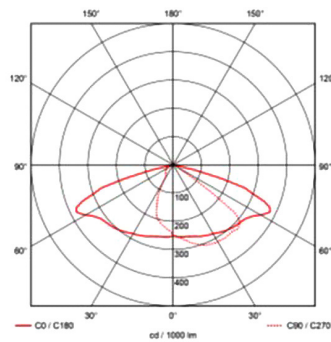
RAL 8019

## Light distribution

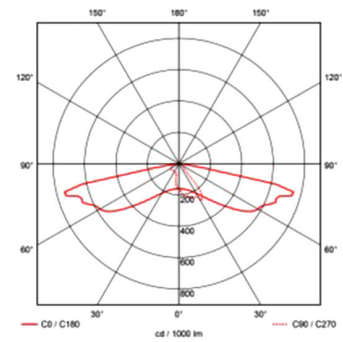
NARROW ROAD



MEDIUM ROAD



AREA & WIDE ROAD



## References

PRODUCT REFERENCE	PRODUCT DESCRIPTION
SD4200 000 000	iSSL Maxi Road
SD4200 100 000	iSSL Maxi Road – Motion sensors