

iSSL +

All-in-One solar streetlight

IP65

IK07(PV)

IK08

CE

Sol[®]
by Sunna Design[®]



6

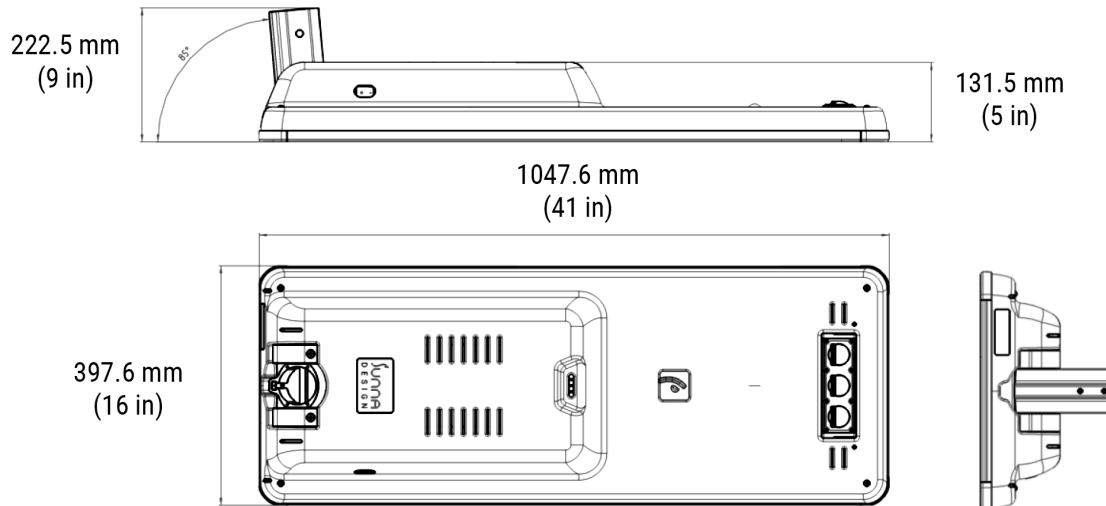
YEARS
WARRANTY

LIGHTING	LED module	High efficiency LED light engine - Multichip Technology (IP 67)
	Luminous flux	1,600 to 2,800* lumens
	Consumption	10 W to 20 W*
	Lighting efficiency	Up to 164 lm/W
	Color temperature options	3000 K, 4000 K & 5700 K
	Lifespan	50,000 hours certified by IESNA LM-80 TM-21
	Certificates	EN 13032-1; EN 13032-2; EN 13201; EN 60598-1; EN 62471
SOLAR PANEL	Technology	Photovoltaic module (Monocrystalline silicon)
	Power	50 Wp
	Electrical characteristics (per panel)	VOC : 22,89 V / VMPP : 18,54 V / ISC : 2,85A / IMPP : 2,7A / 36 cells
	Dimensions (per panel)	1000 x 350 mm (39 x 14 inches)
	Lifespan	25 years
	Inclination	Horizontal
	Structure	Frameless
BATTERY	Certificates	IEC 61215; IEC 61730 I and II
	Battery technology	NIMH battery, maintenance free, very high temperature resistance
	Voltage	12V
	Capacity	120 Wh
	Operating temperature range	-40°C to +70°C (-40°F to +158°F)
	Lifespan	12 years
	Certificates	EN 62133
ELECTRONICS	Technology	SunnaCore [®]
	Communication	Bluetooth
	Input voltage	12V
	Max. PV open circuit voltage	22,5V
	Max. charge/discharge current	5A
	Wiring	Marine-grade wiring used for all applications
	Electrical protection	Electronic fuse
	Lifespan	12 years
	Water resistance	IP65 with sealed plugs
	Operating temperature range	-20°C to +70°C (-4°F to +158°F)
GENERAL	Certificates	CE; EN61000; EN61547; EN55015; EN62493; EN 62479 EN300328; EN 301489-1
	Material	ABS PMMA casing (100% recycled) and aluminum
	EPA	0,08 m2 (0.86 ft ²)
	Fixation	Top mounting Ø60 mm (Ø2 inches)
	Weight (without pole)	13 kg (29 lbs)
	Options	Motion sensor Anti-theft screws
	Smart Lighting options	Smart Lighting and Detection Remote monitoring

* Available with motion sensor

© Sunna Design Inc / 2020

Dimensions



Available colors



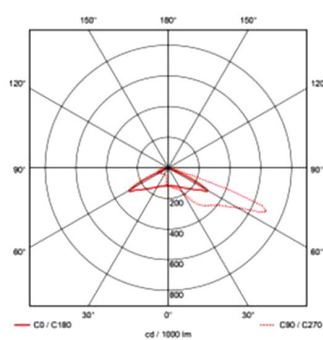
RAL 9010



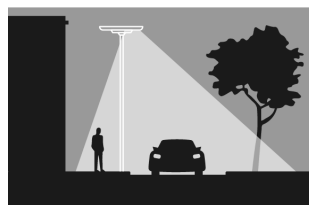
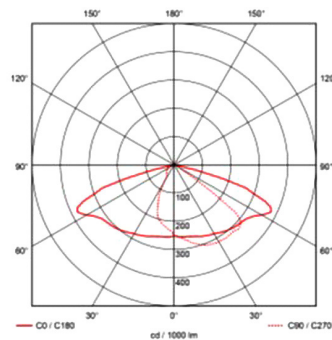
RAL 8019

Light distribution

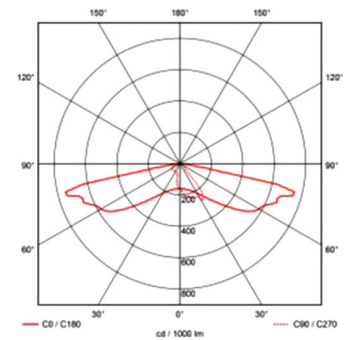
NARROW ROAD



MEDIUM ROAD



AREA & WIDE ROAD



References

PRODUCT REFERENCE	PRODUCT DESCRIPTION
SD4100 000 000	iSSL+
SD4100 100 000	iSSL+ - motion sensor