

Introduction

The Wood Pole Adapter allows the EverGen solar lighting system to be mounted securely to the top of a new or structurally-sound existing wooden pole. Always verify with local engineering that the wooden pole being used is rated to withstand the wind loads created by your configured solar system. Weight and EPA information can be found in your detailed specification or by contacting Sol directly.

The adapter can be used for pole tops up to 8 inches (20 cm) in diameter.

Max diameter
8 inches (20 cm)



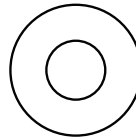
Components Included



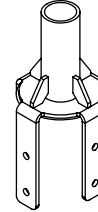
8x 5/8" Lag Bolts



6x Cable Ties



16x 5/8" Washers



1x Adapter

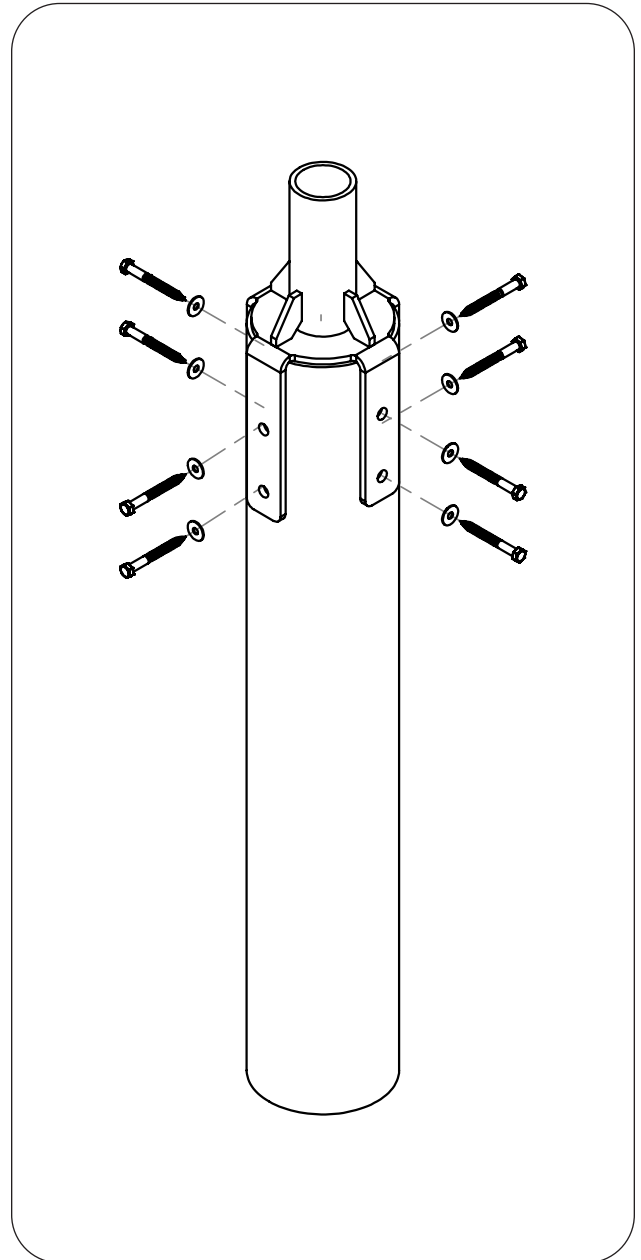
Tools and Equipment

Tools Required

- a. Drill
- b. 7/16" Drill or Auger bit
- c. 15/16" socket and ratchet
- d. Small level
- e. Saw (if pole needs to be trimmed)

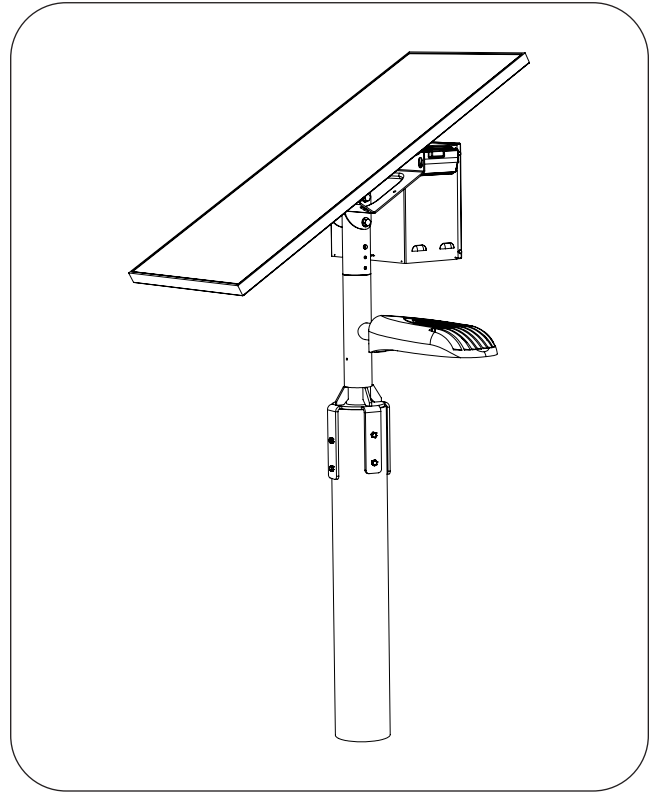
Installation

- 1 First, place the adapter over the pole to confirm clearance. If the pole is slightly smaller, use the extra washers provided to close the gaps between the adapter and the pole when installing the lag bolt. If there are significant gaps between the adapter and the pole, longer bolts will have to be sourced locally.
- 2 Using a level, make sure the adapter is oriented upright and mark your spots for drilling pilot holes. Using a 7/16" Drill or Auger bit, drill holes to about half of the pole's diameter deep up to 3.5". For hardwood species, you may be required to drill the pilot hole wider to accommodate the bolt shank. In these cases, a 5/8" Drill or Auger Bit may be required.
- 3 Place the adapter back on the pole and secure it with washers and lag bolts. Make sure all bolts are snug and there are no gaps between the adapter tabs and the pole.
- 4 Refer to local engineering or the wood pole supplier for bolt torque spec based on the type of wood the pole is made from.



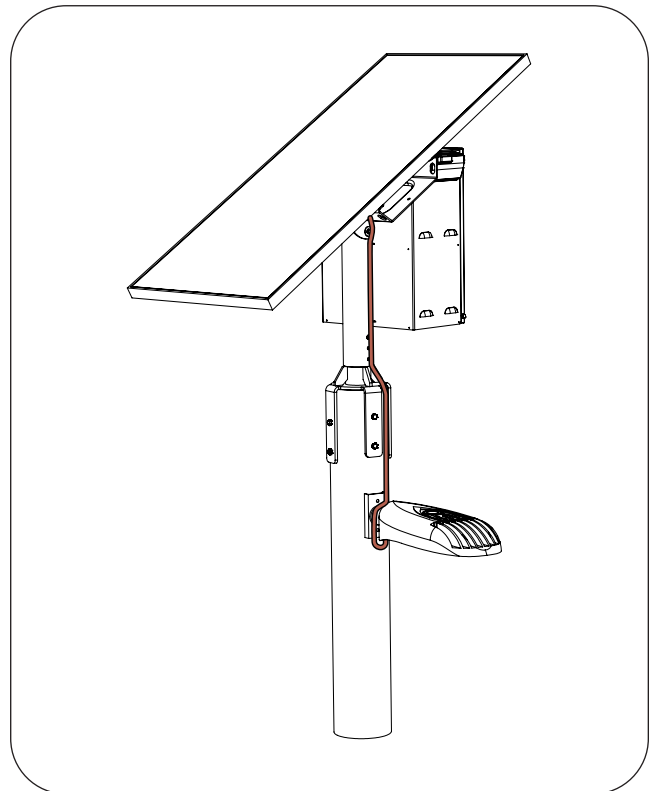
For Integrated Arm Assembly

If your system uses a Sol Integrated Arm, follow the assembly and installation steps found in the EverGen User Manual.



For Separate Arm Assembly

If your system uses a pole mounted arm, run the fixture harness on the outside of the tenon adapter and secure it with cable ties. Follow all other related installation steps found in the EverGen User Manual.



NOTE

All EverGen harnessing is UV stable and does not require conduit. However, using conduit will provide added protection from the elements.

Warranty

This product is covered by the Sol warranty. Visit www.solarlighting.com for additional information or contact the customer service department.

Before contacting Sol's customer service department, please have the serial number of your system available, a brief description of the problem, as well as all details of the installation.

To contact Sol's customer service department:

- Mail:** Sol by Sunna Design
990 Biscayne Boulevard, Office 701,
Miami, FL 33132, USA
- Phone:** 1.772.286.9461
1.800.959.1329 (Toll Free in U.S. and Canada)
- Email:** customerservice@solarlighting.com
- Website:** solarlighting.com