



IMPORTANT

Keep your product order information. You will need it during setup.

The EverGen lighting system must be activated after assembly and installation using the EverGen Setup App. Otherwise, the light will not turn on and an additional site visit will be required.

To complete activation:

1. Download the EverGen Setup App from the iOS App Store or Google Play store and ensure you have a compatible mobile device.
2. Use the signup tab to create an account.
3. A verification email will be sent to the email address you used to create the account. Open the email and verify your account.
4. Switch from the signup page to the login page and enter your email and password.
5. Once inside the EverGen Setup App workspace, enter your order number (ORDXXXXXX).
6. Go to the location of the EverGen lighting system, connect to the light and follow the Setup App to activate.



NOTE

If you do not have wireless internet access onsite, use the app to download product information for your order before travelling to the offline site. Activation can then take place onsite without a wireless signal. Contact us for best practices for working in remote areas.

NOTE

EverGen firmware may be periodically released to improve performance. Firmware updates are managed by the app during the initial connection. Updates are mandatory and the process takes about 45 seconds.

This installation and instruction manual provides installation instructions for the Sol EverGen Series solar LED lighting systems. The entire contents of this manual should be thoroughly reviewed and understood prior to installing this equipment. Do not discard this manual, as it contains complete installation instructions.

To ensure proper operation of this equipment, it is important that the equipment be used only for its intended purpose. Any use of this equipment for purposes other than those intended will void all warranties.

Warnings and Precautions

The following symbols indicate important safety warnings and precautions throughout this manual. They are defined as follows:



NOTE suggests optimal conditions under which the equipment will operate effectively and safely, or provides additional information to the reader.



CAUTION indicates that damage to equipment may result if the instructions are not followed.



WARNING indicates that serious bodily harm or death may result from failure to adhere to the precautions.

Warranty Disclaimer

This manual will familiarize you with the features, operation standards, and installation of Sol's EverGen M Series. Failure to comply with the use, storage, maintenance, installation or placement instructions detailed in this manual could void the warranty.

Standards

Perform all installation, wiring, and maintenance in conformance with local building and electrical codes. Adherence to the National Electrical Code (NEC) is mandatory. Non-adherence to code may void the warranty.

Safety and Usage Precautions



Batteries are shipped fully charged. Use extreme caution when handling the batteries as they are capable of generating hazardous short-circuit currents. Remove all jewelry (bracelets, metal-strap watches, etc.) before attempting to handle the batteries.

Solar modules produce DC electricity when exposed to light and can, therefore, produce an electrical shock or burn. To render solar modules inoperative, remove them from sunlight, or fully cover their front surface with an opaque material.

Before lifting any heavy or bulky equipment, ensure the load is secured so moving parts do not shift, and that it can be lifted as far as needed without back strain or loss of grip. Installation may require more than one person.

Until the system is ready for startup, keep the battery fuse out of the fuse holder. Ensure the equipment is not powered during installation and wiring of the system.

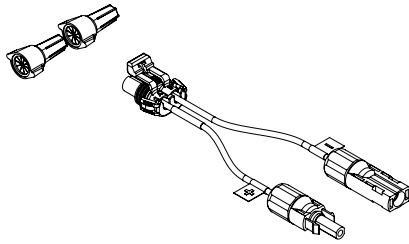
Recheck all completed wiring for proper polarity prior to energizing the system.



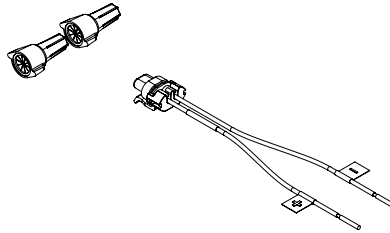
Changes or modifications to Sol equipment not expressly approved by Sol could void the user's authority to operate the equipment.

Introduction

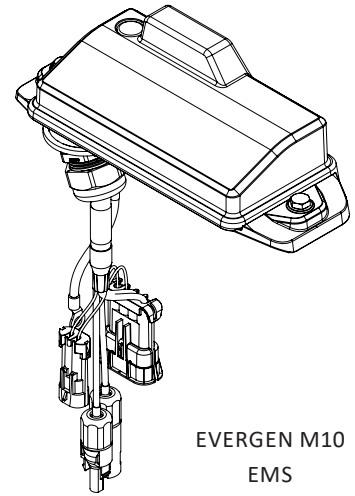
Components



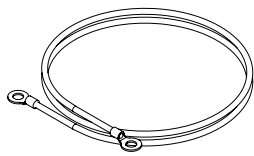
SOLAR ADAPTER HARNESS KIT



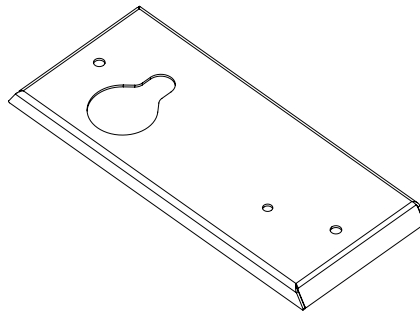
FIXTURE HARNESS KIT



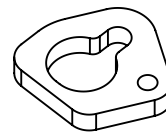
EVERGEN M10
EMS



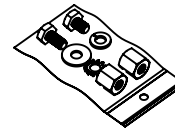
GROUND HARNESS
(NOT NEEDED FOR THIS
INSTALLATION)



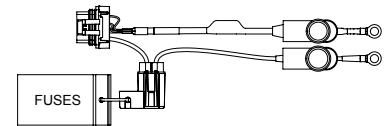
EMS MOUNT BRACKET



GASKET



HARDWARE KIT
(SOME HARDWARE MAY
NOT BE NEEDED FOR YOUR
SPECIFIC RETROFIT)



BATTERY HARNESS KIT

Tools and Equipment

Tools Required

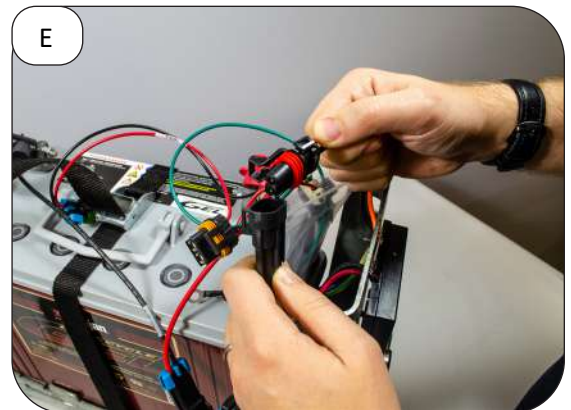
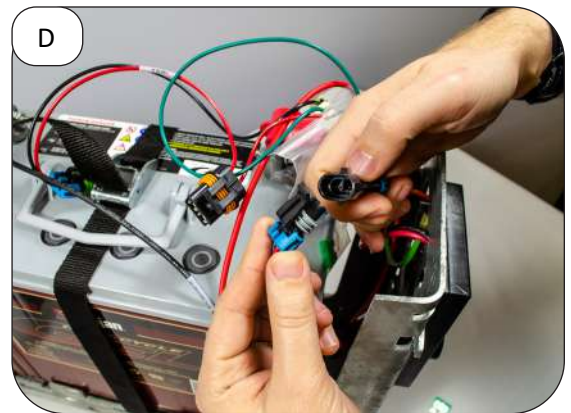
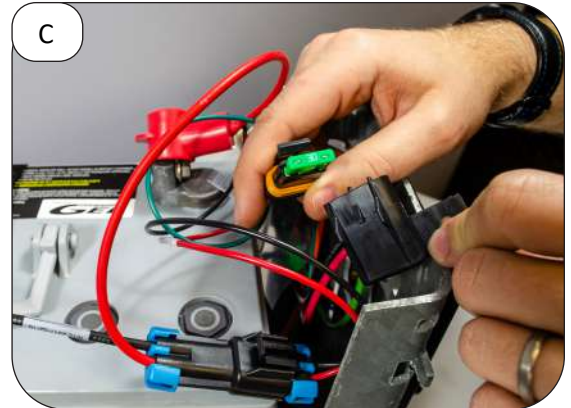
- 7/16 and 1/2 inch socket and wrench
- Phillips screwdriver
- 9/32 inch drill bit
- Cordless drill
- Wire cutters/strippers
- Adjustable wrench

NOTE

EMS retrofit can be performed while in a bucket/lift and with chassis still attached to the pole. Photos in this manual show the system removed from the pole.

Installation

- 1 Remove the upper panel mount retention carriage bolt for the channel and tilt panel forward until it rest into the tabs.
- 2 Remove cover.
- 3 Once you have access to the battery proceed with the following steps:
 - A Remove cover carefully.
 - B Disconnect panels.
 - C Remove battery harness fuse.
 - D Remove battery terminal harnessing.
 - E Unstrap and remove batteries. Set aside to reuse later, if needed.
 - F Unscrew and remove old EMS.
- 4 Be sure the steel channel is still attached to the pole.

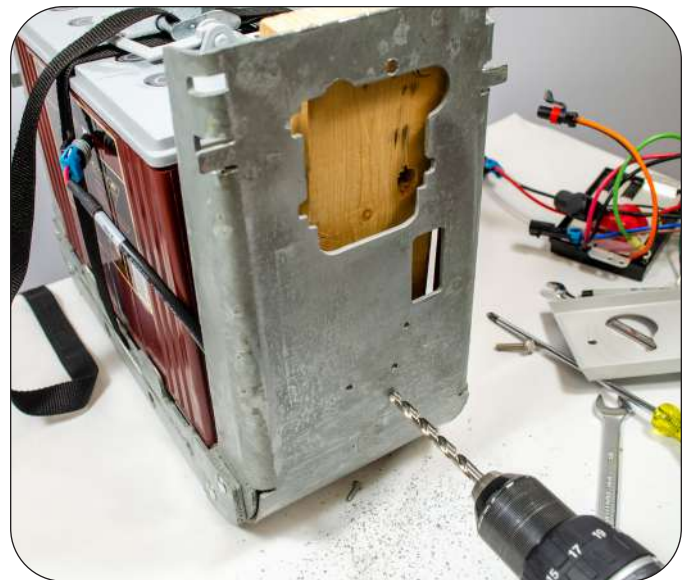
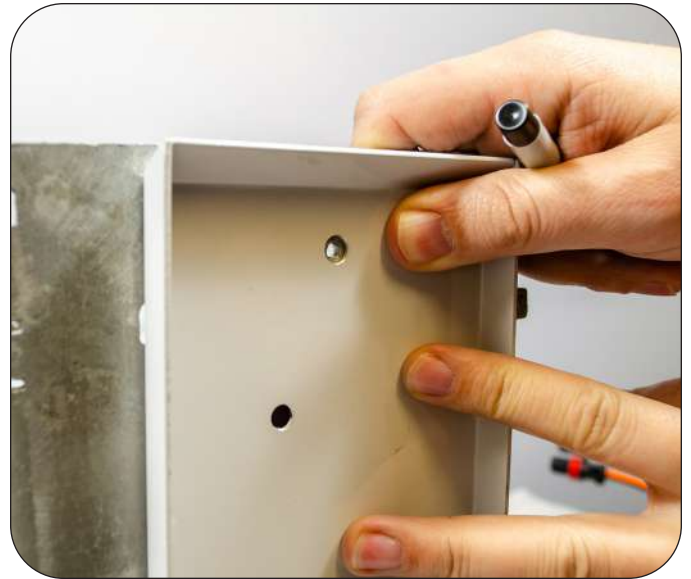


5

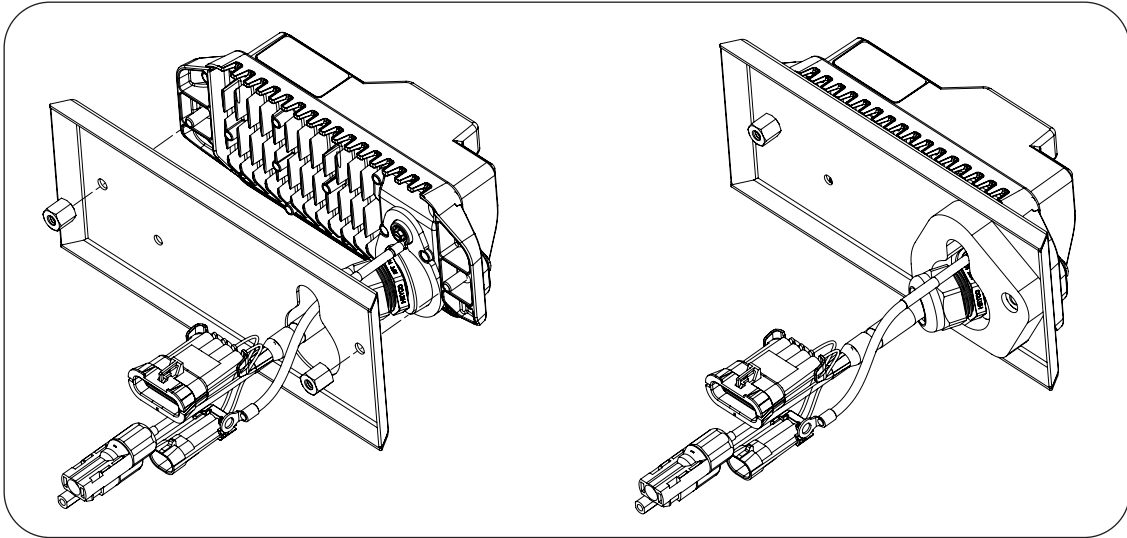
The new EMS will reuse the Eterno4's top mounting hole, which will need to be enlarged to fit properly. With the front of the adapter plate facing the channel, line up the top adapter plate mounting hole with the existing mounting holes. With the adapter plate oriented straight up and down, mark the bottom hole location. Enlarge the top hole and drill out the bottom hole with a 9/32" drill bit.

NOTE

On older systems, the top mounting hole may not exist and a new hole will need to be drilled.



- 6 Assemble EMS onto adapter plate using the provided standoff nuts.
- 7 Install foam gasket around harnessing.



- 8 Mount onto the outside of the channel using provided bolts and washers hardware from the inside of the channel.

The grounding wire from the EMS should be mounted to the channel using the bronze bolt and star washer.



9. Battery Harness Installation

NOTE

CABLE CONNECTIONS VARY DEPENDING ON SYSTEM CONFIGURATION.



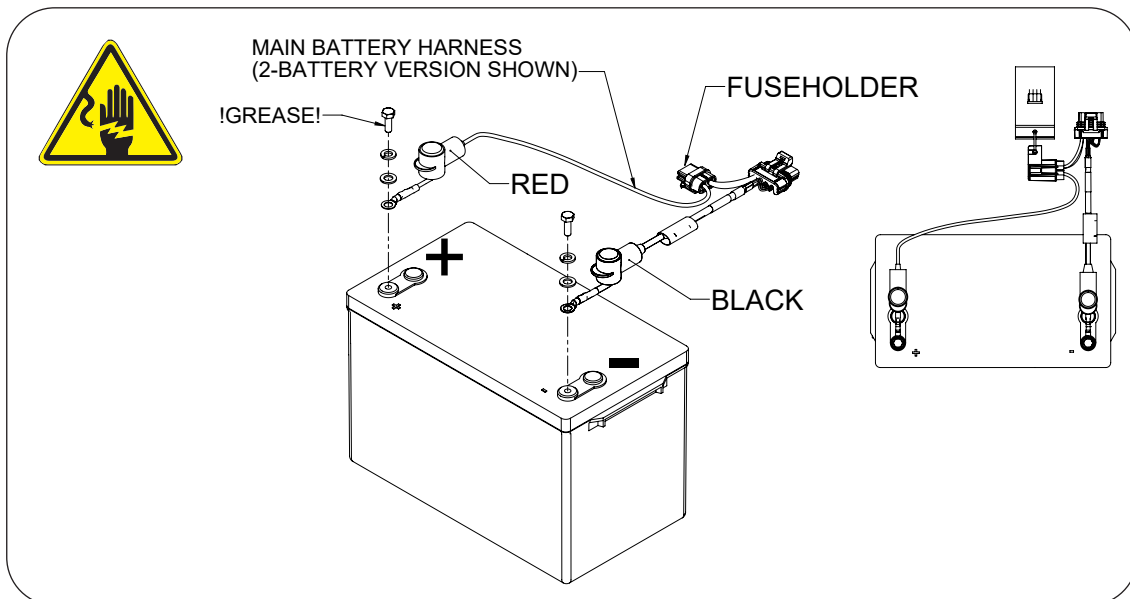
RISK OF ELECTRIC SHOCK.



- 1 While at ground level, install battery cable(s) to battery terminals following the color coordinated terminal ends.
- 2 If installed, remove fuse from fuseholder.
- 3 Place the negative (-) wire (BLACK) ring terminal onto the negative (-) terminal of the battery.
- 4 Apply grease and thread supplied bolts, washers, and lock washers into battery terminal then torque to 50 in-lbs.
- 5 Place the positive (+) wire (RED) ring terminal onto the positive (+) terminal of the battery.
- 6 Apply grease and thread supplied bolts, washers, and lock washers into battery terminal then torque to 50 in-lbs.
- 7 Install terminal covers.

NOTE

In highly corrosive environments, coat all fasteners and ring terminals with dielectric grease.



10 Install new or previously installed batteries into the bucket and strap them down.

11 Connect fixture harness.

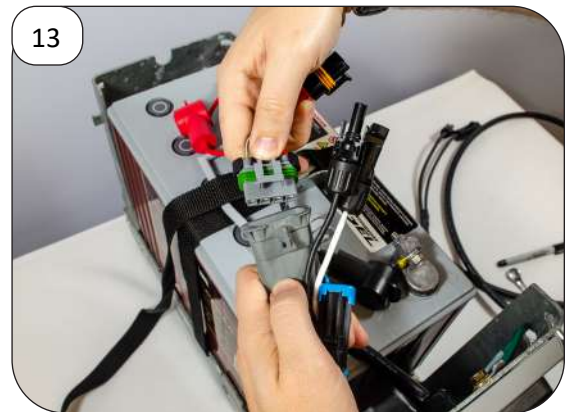
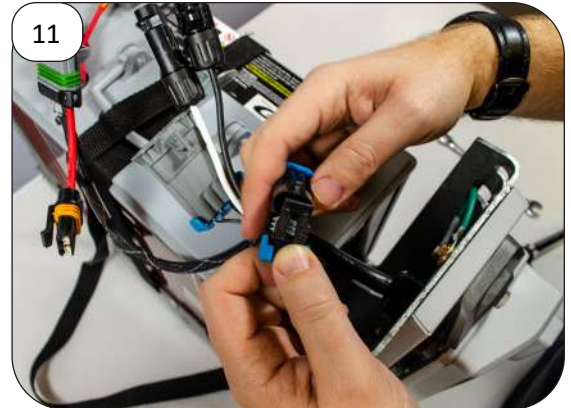
12 Connect PV panel to EMS.

13 Connect battery harness to EMS.

14 Reinstall main harness fuse.

15 Replace cover and re-secure panels with carriage bolt.

You can now complete the install by commissioning the EMS with the EverGen Setup App on your iPhone or Android phone.



Commissioning

Every EverGen EMS must be commissioned using the EverGen Setup App. The app can be downloaded on most new iPhone and Android devices from the iOS App Store and the Google Play Store.



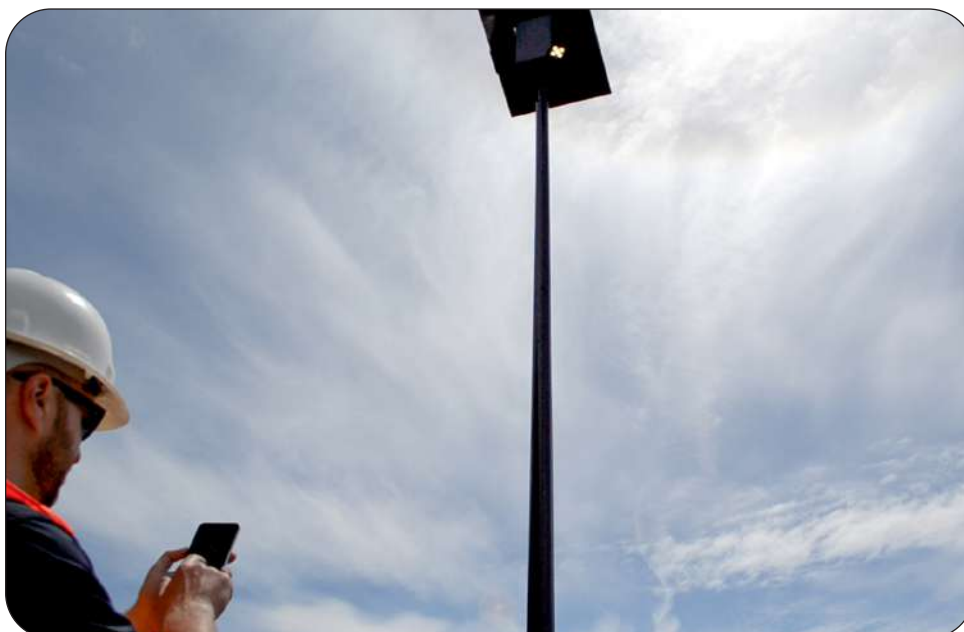
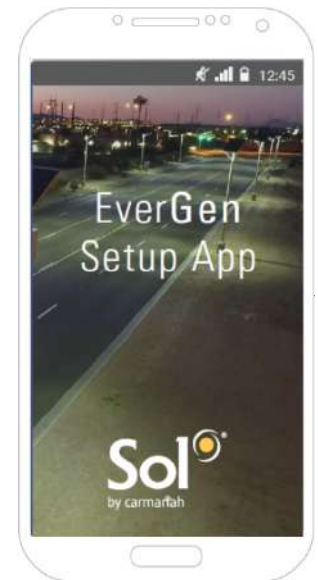
Use the signup tab to create an account. A verification email will be sent to the email address you used to create the account. Open the email and verify your account. Switch from the signup page to the login page and enter your email and password. Once inside the EverGen Setup App workspace, enter your order number (ORDXXXXXX).

You will need internet access to download the order information, but afterwards, the app can operate without a connection.

Once onsite, follow the steps in the app to connect with each light. Once connected, commission the light by confirming the system information along with the operating profile and power output.

The EverGen will then run an internal diagnostics test, then power the light for one minute.

Repeat this commission process for each EverGen EMS in the project.



Warranty

This product is covered by the Sol warranty. Visit www.solarlighting.com for additional information or contact the customer service department.

Before contacting Sol's customer service department, please have the serial number of your system available, a brief description of the problem, as well as all details of the installation.

To contact Sol's customer service department:

- Mail:** Sol by Sunna Design
990 Biscayne Boulevard, Office 701,
Miami, FL 33132, USA
- Phone:** 1.772.286.9461
1.800.959.1329 (Toll Free in U.S. and Canada)
- Email:** customerservice@solarlighting.com
- Website:** solarlighting.com