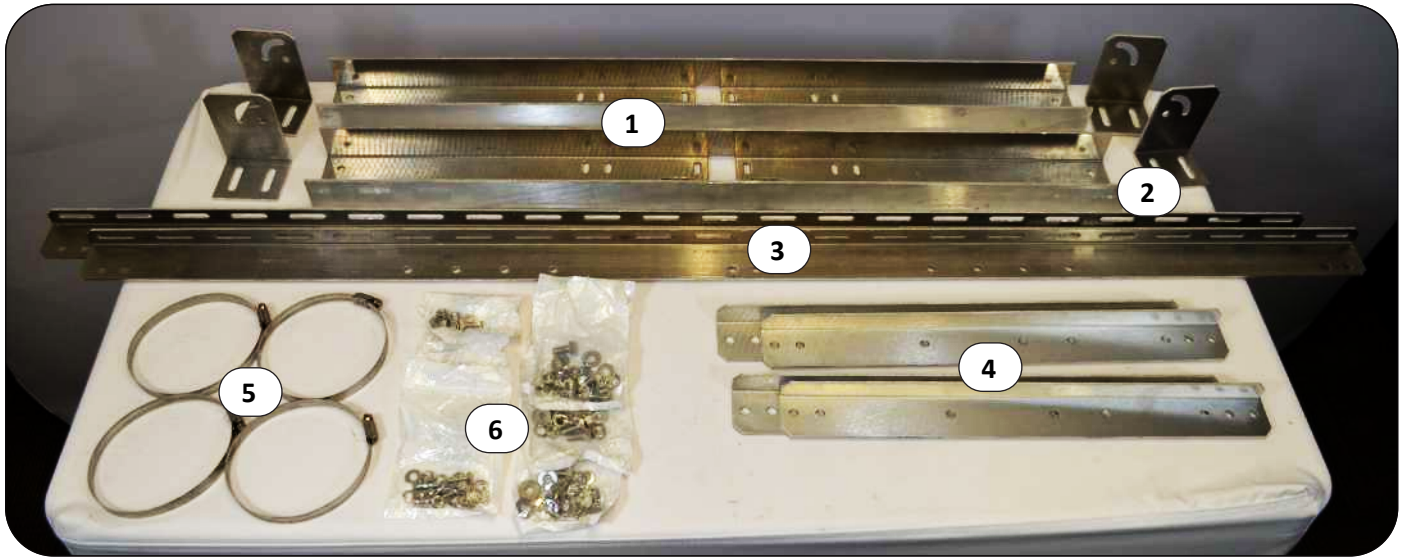


Components



Item	Description	Quantity
1	Large bucket	2
2	Clips	4
3	PV rails	2
4	Support rails (combine to create 2 rails)	4
5	Banding (for up to 4.5" OD)	4
6	Hardware: <ul style="list-style-type: none"> • Buck and clip hardware <ul style="list-style-type: none"> ○ 5/16-18 3/4" bolts, washers, lock washers, nuts • Support rail hardware <ul style="list-style-type: none"> ○ 5/16-18 3/4" bolts, washers, lock washers, nuts • Panel hardware <ul style="list-style-type: none"> ○ 1/4-20 3/4" bolts, washers, lock washers, nuts • Spare hardware <ul style="list-style-type: none"> ○ 5/16-18 3/4" bolts, washers, lock washers, nuts 	16 sets 6 sets 8 sets 2 sets

Tools Required

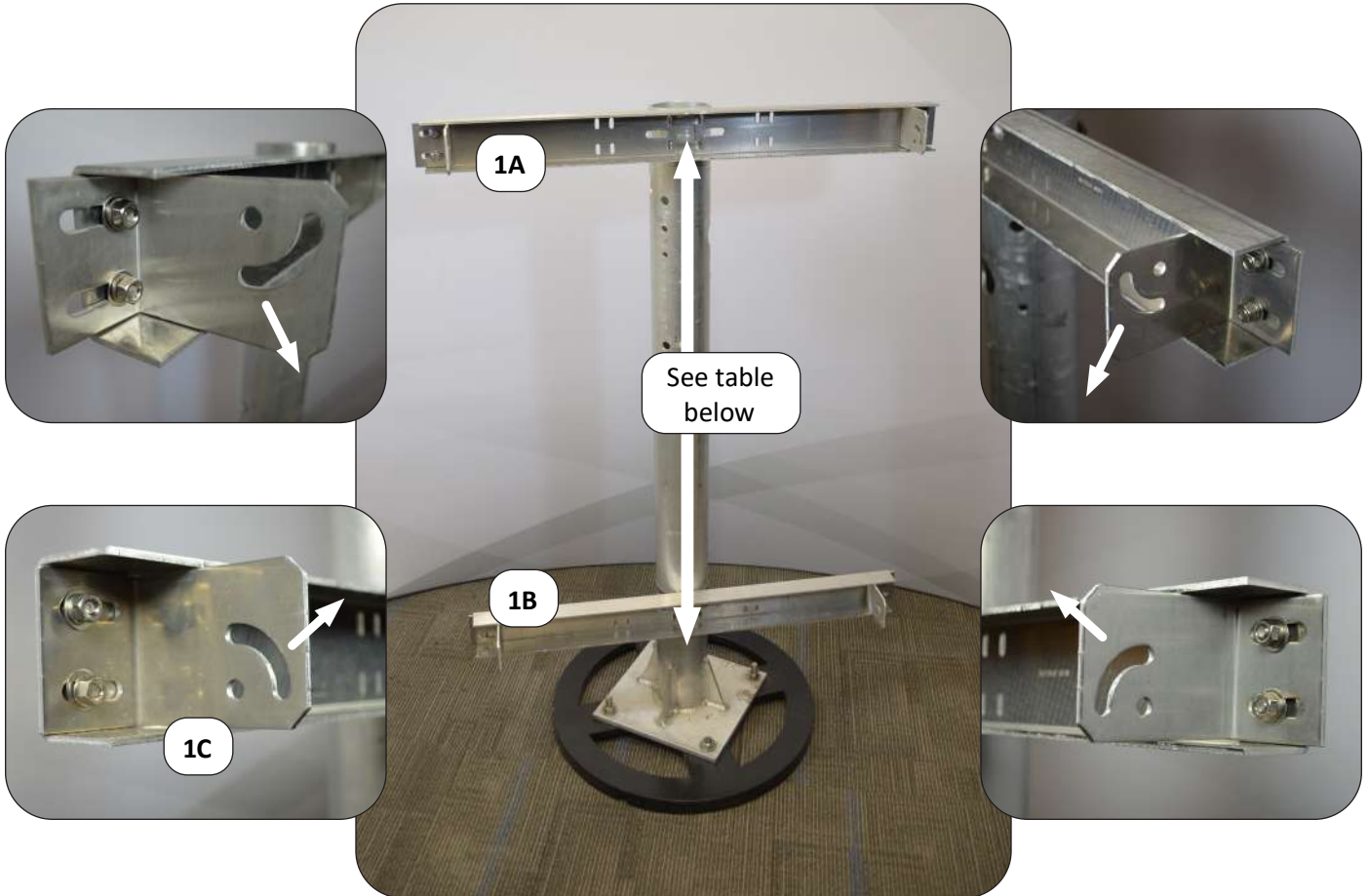
a. 5/16 and 1/2 inch socket and wrench	d. Tape measure
b. Torque wrench	e. Compass
c. Banding tools	

Notes

- This mount is designed to be installed on a variety of pole sizes achieving 30, 45, or 60 degree panel tilt.
- The provided banding will work on 2" to 4.5" poles. For poles with a diameter greater than 4.5", you will need to source your own 1/2" banding materials

Installation

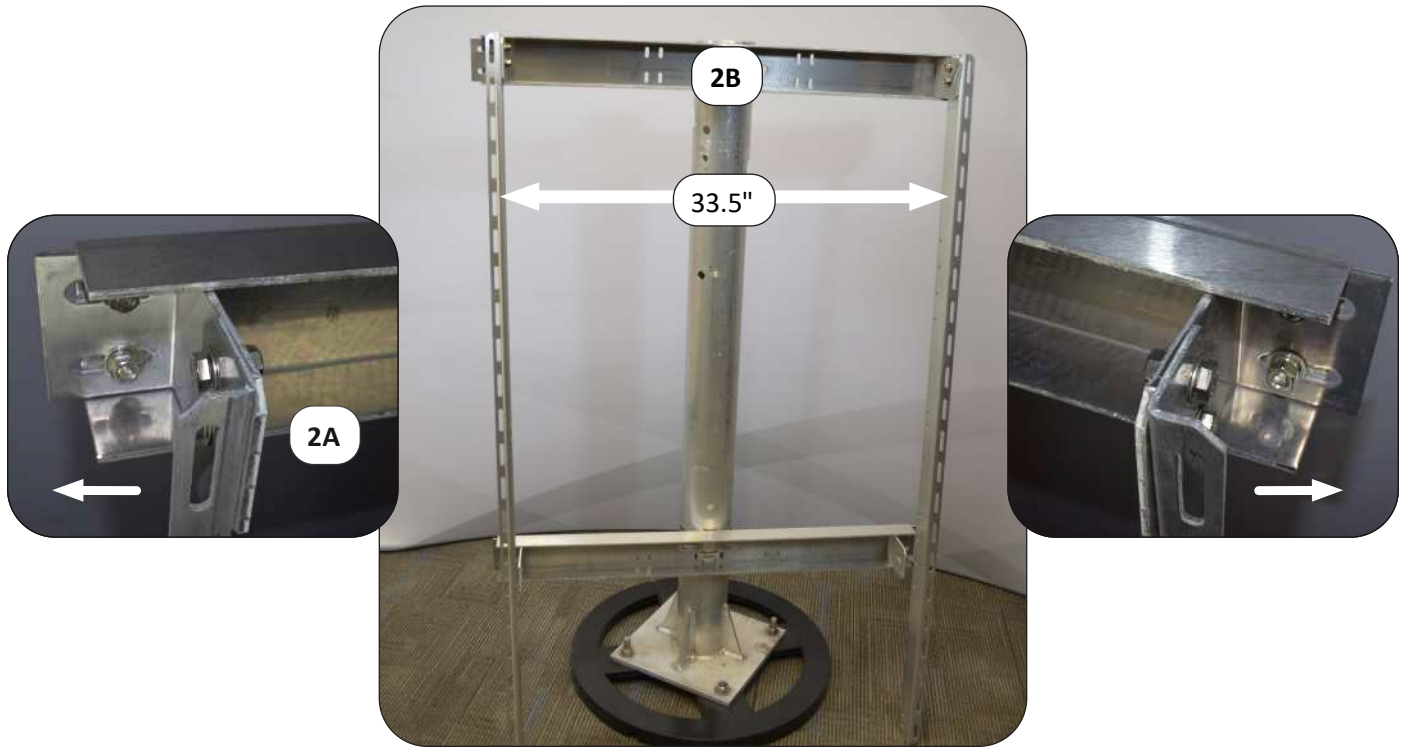
Step 1



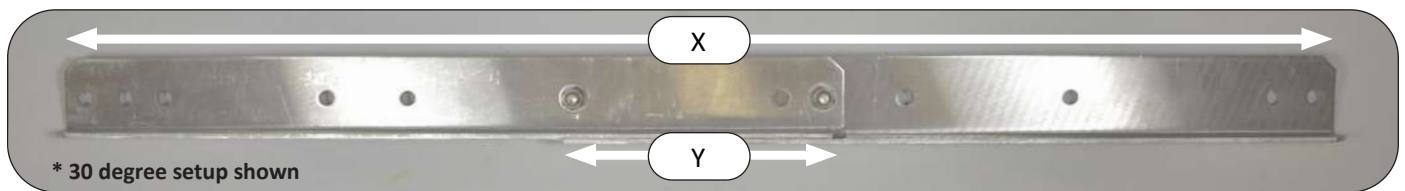
- 1A Using banding, install the top support bucket at the desired height on the pole facing it directly south towards the equator. Use a compass to verify.
- 1B From the center to the top bucket, install the center of the bottom bucket at a distance based on the table below, facing the same direction.
- 1C Install all clips in the proper orientation; all clips face in, top clips have the arc facing down, bottom clips have the arc facing up. Using 5/16-18 hardware, hand tighten all nuts and bolts for adjustment later.

Tilt Angle (°)	Channel Distance on Center (in)
30	33.75
45	39.50
60	46.25

Step 2



- 2A Install PV support rails, channels facing out, on the outside of the top clips using 5/16 hardware and hand tighten.
- 2B Adjust top clips evenly so that the center of the PV rail mounting slots are 33.5" apart at the top of the PV rail.



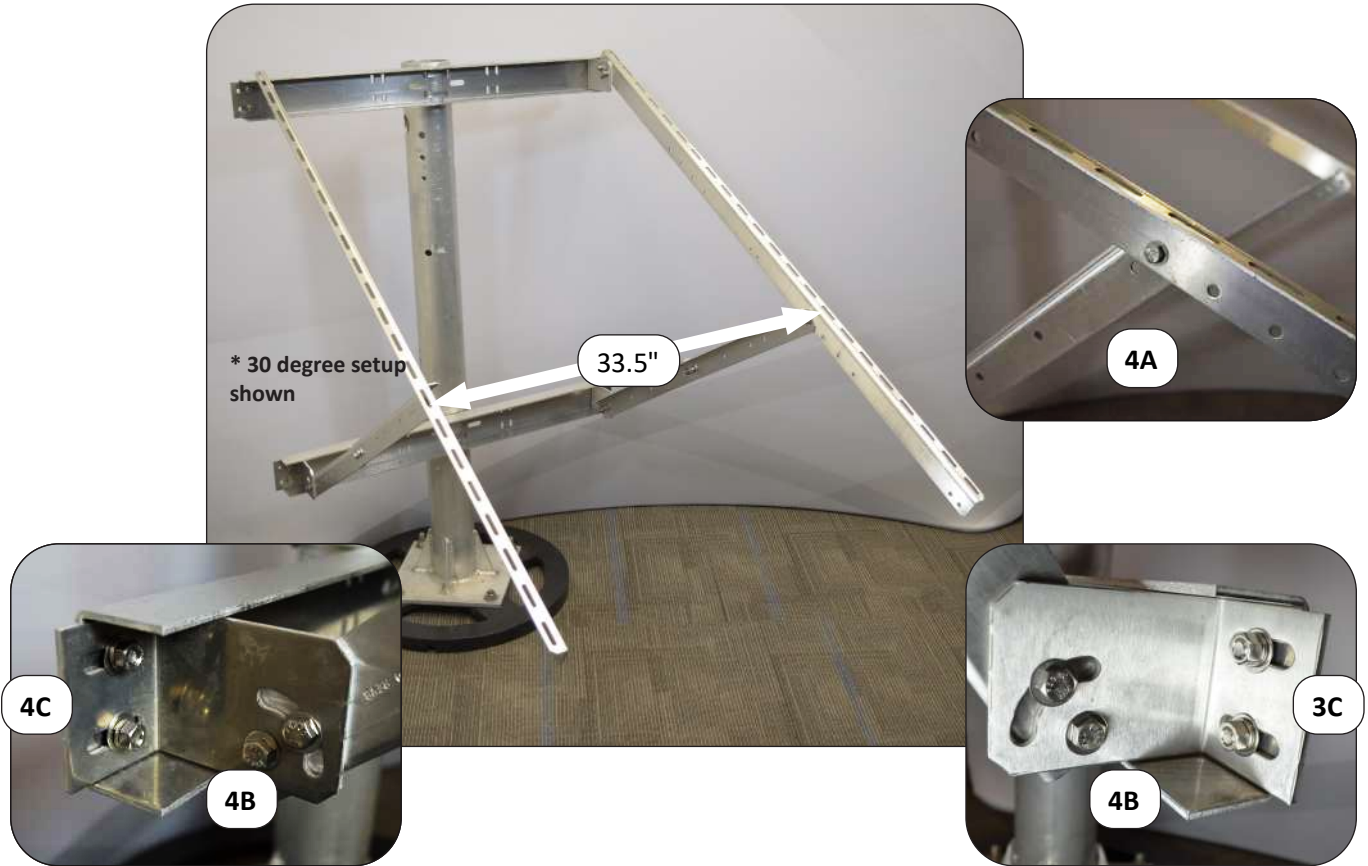
Step 3

- 3A Combine two smaller support rails to make one large rail. Rails should nest into each other so the holes line up using 5/16 hardware. Tighten all hardware to 144 in-lbs.

Use the table below for the correct length and overlap based on specified tilt.

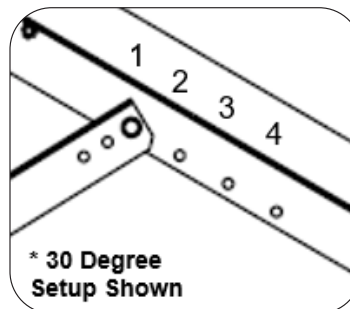
Tilt Angle (°)	X – Support Length (in)	Y – Overlap (in)
30	36	2
45	31	7
60	25	13

Step 4



- 4A Attach support rails on the inside of the PV rails. Use one of the four hole positions located 3/4 of the way down the PV rail, attached support arm based on the table options below. Secure with 5/16 hardware and hand tighten.
- 4B Attach support rail to the bottom clips using 5/16 hardware and hand tighten.
- 4C Adjust bottom clips evenly so that the center of the PV rail mounting slots are 33.5" apart at the bottom of the PV rail.

Tilt Angle (°)	Hole Position
30	1
45	2
60	4



Step 5



- 5A Insert washer and 1/4-20 3/4" bolt into the hole in the back of the solar panel frame.
- 5B Mount PV panel onto the bottom section of the PV rails. Secure with remaining hardware and tighten to 84 in-lbs.
- 5C Secure loose PV harnessing with ties.
- 5D Tighten all loose hardware to 144 in-lbs. Double check previously tightened hardware.

Warranty

This product is covered by the Sol warranty. Visit www.solarlighting.com for additional information or contact the customer service department.

Before contacting Sol's customer service department, please have the serial number of your system available, a brief description of the problem, as well as all details of the installation.

To contact Sol's customer service department:

- Mail:** Sol by Sunna Design
990 Biscayne Boulevard, Office 701,
Miami, FL 33132, USA
- Phone:** 1.772.286.9461
1.800.959.1329 (Toll Free in U.S. and Canada)
- Email:** customerservice@solarlighting.com
- Website:** solarlighting.com